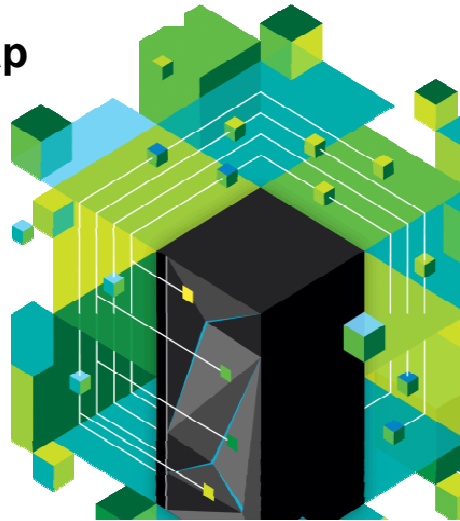




IBM i Strategy and Roadmap in an ever changing world

Your virtualization platform matters
Power is performance redefined

Peter Croes – IBM Nederland
peter_g_croes@nl.ibm.com
18-04-2013



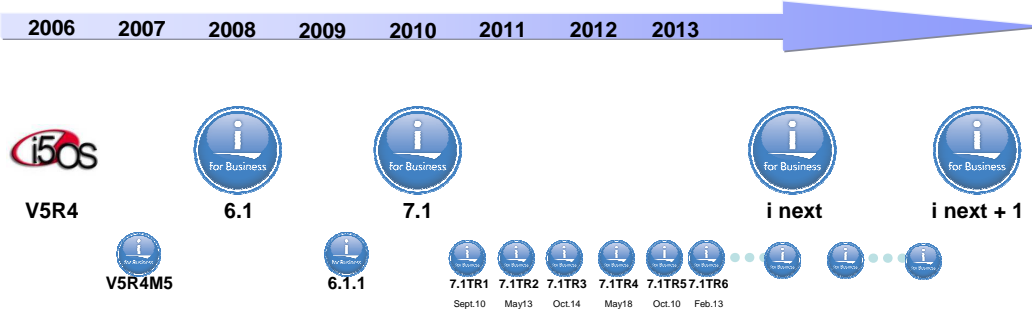
© 2013 IBM Corporation

IBM Power Systems



- <http://www.youtube.com/watch?v=vkGe0szX-3s>

IBM i Roadmap



- Responding to IBM i market, time between releases is longer
- Interim technology refreshes will provide new functions and I/O support
- Simpler to install on a current release and less disruptive

** All statements regarding IBM's future direction and intent are subject to change or withdrawal without notice, and represent goals and objectives only.

September 2010 starting Technology Refresh

TR1

- Support for embedded media changers
- Installation of new partitions via Network (POWER7 based servers)
- PowerVM with Shared Storage Pools

TR2

- Partition Suspend and Resume (Hibernation)
- PowerVM N_Port ID Virtualization attachment of DS5xxxx

TR3

- IBM PowerVM V2.2 Refresh with Network Load Balancing
- Mirroring with NPIV Attached Storage
- Ethernet layer-2 bridging

TR4

- IBM i Live Partition Mobility

TR5

- IBM PowerVM V2.2 Refresh with SSP & LPM updates

TR6

- NPIV attach of SVC and Storwize V7000, V3700, V3500



For the complete list of features check **Technology Refreshes and additional Enhancements to IBM i 7.1** via <http://www.ibm.com/developerworks/ibmi> and click Technology updates in Navigation pane (left on the screen)

<http://www.ibm.com/systems/support/i/planning/techrefresh/index.html>

IBM i Technology Refresh

Information for IBM i 7.1

IBM Support Portal

IBM i Technology Refresh - Information for IBM i 7.1

Overview | **IBM i 7.1** | More information | FAQs

This page contains information regarding the latest IBM i 7.1 Technology Refresh.

IBM i 7.1 Technology Refresh history (with 7.1.0 Machine Code)

Technology Refresh release date ¹	Description	Technology Refresh PTF Group Level ²	Corresponding 5770-999 Resave Level and Marker PTF	5770-999 Technology Refresh PTF ³
02/13/2013	IBM i 7.1 Technology Refresh 6 (TR6)	SF99707 Level 6	RS-710-G RE13015	MF99006
10/12/2012	IBM i 7.1 Technology Refresh 5 (TR5)	SF99707 Level 5	RS-710-F RE12249	MF99005
05/18/2012	IBM i 7.1 Technology Refresh 4 (TR4)	SF99707 Level 4	RS-710-E RE12066	MF99004
10/14/2011	IBM i 7.1 Technology Refresh 3 (TR3)	SF99707 Level 3	RS-710-D RE11221	MF99003
05/13/2011	IBM i 7.1 Technology Refresh 2 (TR2)	SF99707 Level 2	RS-710-C RE11067	MF99002
09/10/2010	IBM i 7.1 Technology Refresh 1 (TR1)	SF99707 Level 1	RS 710-B RE10187	MF99001

¹All dates are shown in MMDD/YYYY format

IBM i 7.1 Technology Refresh 6 - Highlights

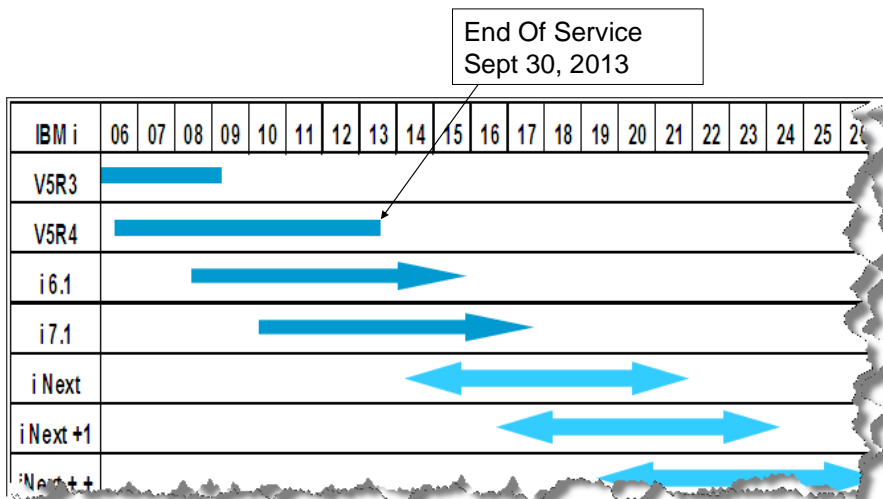
- Enhancing the value proposition of **DB2 for i** by extending SQL capabilities, improving performance and enhancing data center manageability
- Support for latest **POWER7+ Express Servers**
- Use of **USB Flash Drives** now supported by IBM i
- **New Mobile Solutions**
 - **Zend Server for i Version 6** provides mobile application development and runtime
 - **IBM Mobile Database** solution uses DB2 for i as data source
 - Statement of Direction for **IBM Lotus Notes Traveler** and **IBM Connections** availability
- **IBM i Secure Sockets Layer (System SSL)** supports TLSv1.1 and TLSv1.2 and Online Certificate Status Protocol (OCSP)
- **PowerHA SystemMirror for i** adds support for additional storage devices, including IBM SAN Volume Controller (SVC) and IBM Storwize V7000 and V3700
- **IBM Systems Director** error detection and reporting



IBM i – valuable resources

- developerWorks
 - Main page: <http://www.ibm.com/developerworks/ibmi>
- Blogs
 - Steve Will: http://ibmsystemsmag.blogs.com/you_and_i/
 - Dawn May: http://ibmsystemsmag.blogs.com/i_can/
 - Mike Cain: <http://db2fori.blogspot.ca/>
 - Tim Rowe: <http://www.iprodeveloper.com/blog/modern-i-zation>

IBM i Support



** All statements regarding IBM's future direction and intent are subject to change or withdrawal without notice, and represent goals and objectives only.

POWER7+ Processors & Architecture

Faster Performance

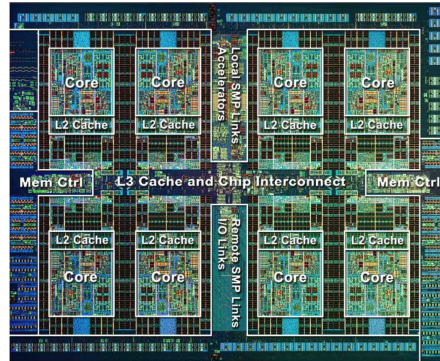
- Higher frequencies
- 10 MB L3 Cache per core
- Random number generator
- Enhanced Single Precision Floating Point

Increased Efficiency and Flexibility

- Active Memory Expansion accelerator
- On-chip encryption acceleration for AIX
- More performance per watt
- Enhanced energy / power gating
- 20 Virtual Machines per core

Better Availability

- Self-healing capability for L3 Cache functions
- Processor re-initialization



POWER7+
32 nm

Power System Portfolio 1Q 2013



IBM i Hardware-Related News



▪Support of newly announced hardware

- POWER7+ 710/720/730/740/750/760
- PCIe Gen2 adapters: 16Gb Fibre Channel adapter & 4-port 10/1Gb Ethernet
- 1.5 TB RDX cartridge & HH LTO-6 tape drive



▪EXP30 Ultra SSD I/O Drawer support

- IBM i 7.1 TR6 support (Native support – not through VIOS)

▪Support use of USB flash memory sticks

- IBM i 7.1 TR6 native and virtualized
- USB ports on system units (not on PCIe adapters)
- D-mode IPL supported



▪NPIV (N_Port ID Virtualization) attach of SVC, V7000 Storwize, V3700

- IBM i 7.1 TR6 expands existing VSCSI support
- Native support not offered (SOD for V3700 native IBM i 7.1 support)

New announcements for the PureSystems family that change the economics of IT and accelerate time to value

Flex System

For clients who want to **custom build** and **tune** configurations to their specific requirements, as they might with today's blades. Delivers optimum flexibility.



PureFlex



Infrastructure

Delivering Infrastructure Services

PureApplication



Application Platform

Delivering Platform Services

PureData

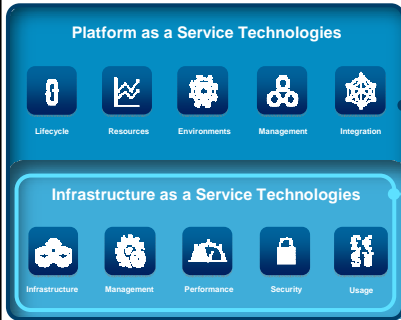


Data Platform

Delivering Data Services

Accelerate deployments with IBM PureSystems family

IBMSmartCloud Foundation



PureApplication



Application Platform System configured with IBM middleware to accelerate deployment of your choice of applications

PureData



Data Platform System delivering high performance data services to transactional and analytics applications

PureFlex



Infrastructure System with flexibility - runs your choice of applications and middleware



- Simplified experience
- Built-in expertise
- Integration by design



Watch the IBMi25 story unfold at facebook.com/IBMi25

twenty five

Integration



twenty five

Single-level Storage



twenty five

AS/400



twenty five



twenty five

User Groups



twenty five

TIMI

